

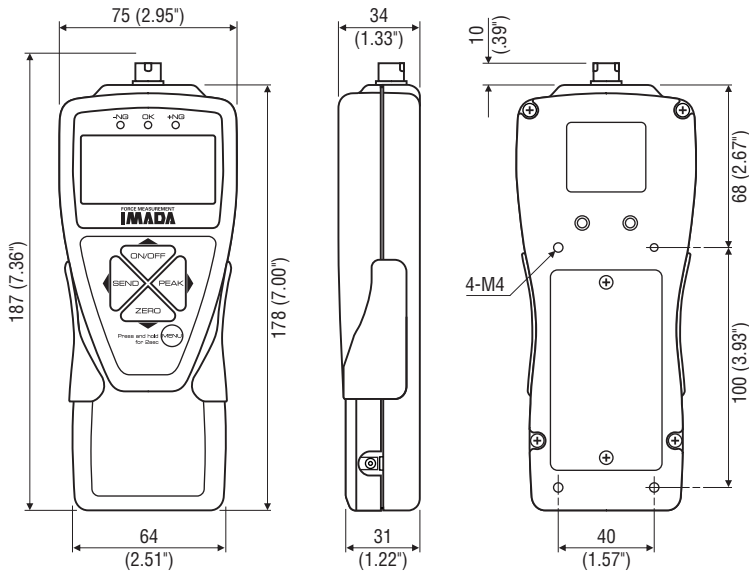


**FORCE & TORQUE MEASUREMENT**  
ISO 9001 & ISO/IEC 17025 ACCREDITED

**IMADA, Inc.®**

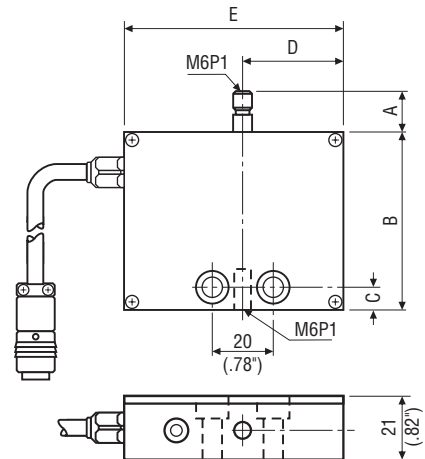
3100 Dundee Rd., Suite 707, Northbrook, IL 60062  
Tel: 847-562-0834 Fax: 847-562-0839  
www.imada.com E-mail: imada@imada.com

## Model ZTA-DPU/ZTA-DPA



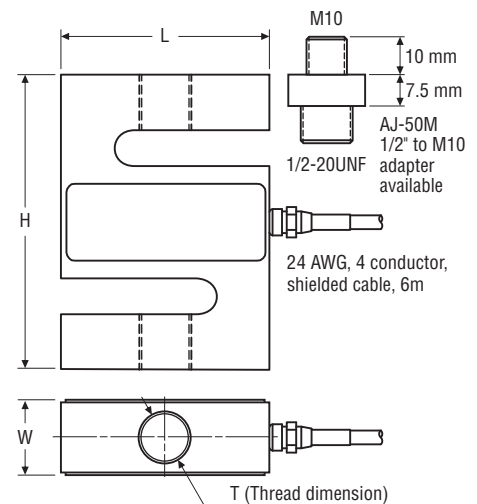
### DPU BOX TYPE SENSOR

Model	A	B	C	D	E
ZTA-DPU-0.4	0.55"	2.24"	0.47"	1.02"	2.28"
ZTA-DPU-1	0.55"	2.24"	0.47"	1.02"	2.28"
ZTA-DPU-4	0.55"	2.32"	0.29"	1.29"	2.83"
ZTA-DPU-11	0.55"	2.32"	0.29"	1.29"	2.83"
ZTA-DPU-44	0.55"	2.32"	0.29"	1.29"	2.83"
ZTA-DPU-110	0.55"	2.32"	0.29"	1.29"	2.83"



### DPA 'S' TYPE SENSOR

Model	L	W	H	T
ZTA-DPA-220	2.00"	0.74"	3.00"	1/2-20UNF
ZTA-DPA-550	2.00"	0.94"	3.00"	1/2-20UNF
ZTA-DPA-1100	2.00"	0.94"	3.00"	1/2-20UNF
ZTA-DPA-2200	2.36"	0.94"	3.00"	1/2-20UNF
ZTA-DPA-4400	3.00"	1.14"	4.25"	3/4-16UNF



Specifications subject to change without notice.