

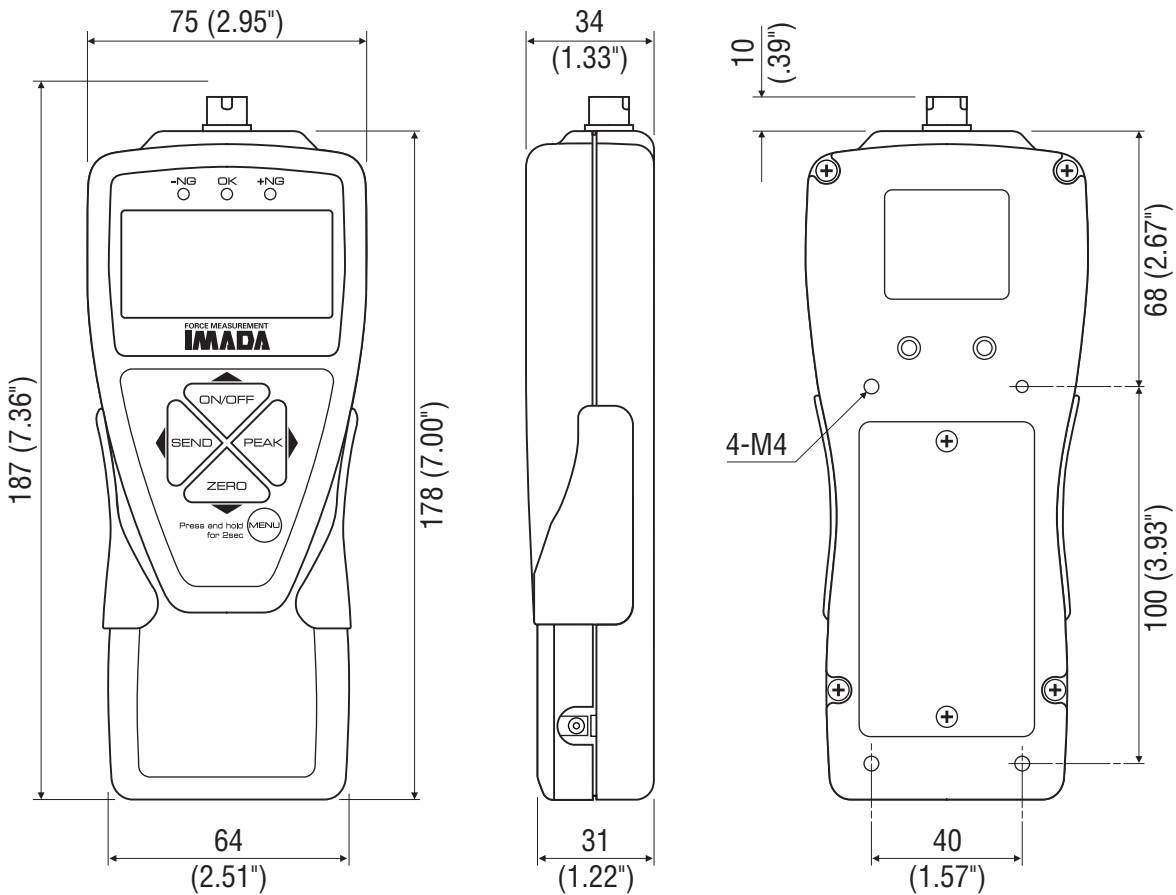


FORCE & TORQUE MEASUREMENT
ISO 9001 & ISO/IEC 17025 ACCREDITED

IMADA, Inc.®

3100 Dundee Rd., Suite 707, Northbrook, IL 60062
Tel: 847-562-0834 Fax: 847-562-0839
www.imada.com E-mail: imada@imada.com

Model ZTA-LM/ZTA-LMA



Model	H	DØ
ZTA-LM-2	0.16"	0.47"
ZTA-LM-4	0.16"	0.47"
ZTA-LM-11	0.16"	0.47"
ZTA-LM-44	0.33"	0.79"
ZTA-LM-110	0.33"	0.79"
ZTA-LMA-220	0.40"	1.24"
ZTA-LMA-550	0.40"	1.24"
ZTA-LMA-1100	0.40"	1.24"
ZTA-LMA-2200	0.62"	1.49"
ZTA-LMA-4400	0.62"	1.49"

