

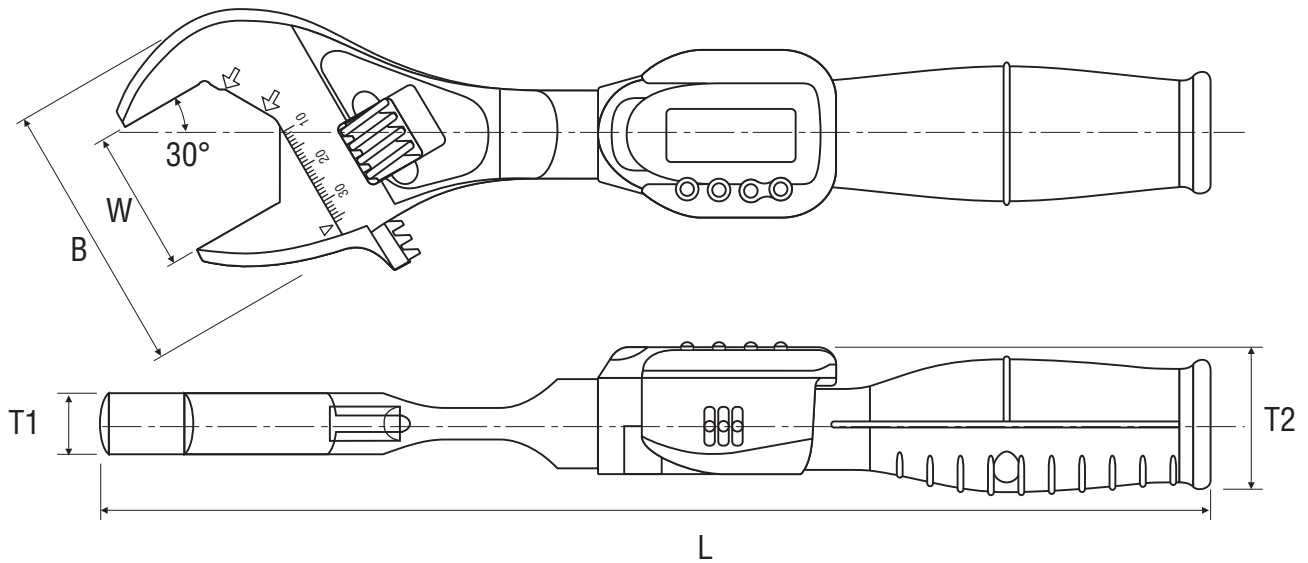


FORCE & TORQUE MEASUREMENT  
ISO 9001 & ISO/IEC 17025 ACCREDITED

IMADA, Inc.®

3100 Dundee Rd., Suite 707, Northbrook, IL 60062  
Tel: 847-562-0834 Fax: 847-562-0839  
www.imada.com E-mail: imada@imada.com

## Digital Adjustable Torque Wrench Series GEK



Dimensions: millimeters (inches)

Model No.	W (mm)	B	L	T1	T2
GEK085-W36E	10~36 (.39~1.41")	69 (2.71")	275.2 (10.83")	14.5 (.57")	36 (1.41")
GEK135-W36E	10~36 (.39~1.41")	69 (2.71")	381.2 (15.00")	14.5 (.57")	36 (1.41")
GEK200-W36E	10~36 (.39~1.41")	69 (2.71")	581.2 (22.88")	14.5 (.57")	36 (1.41")