

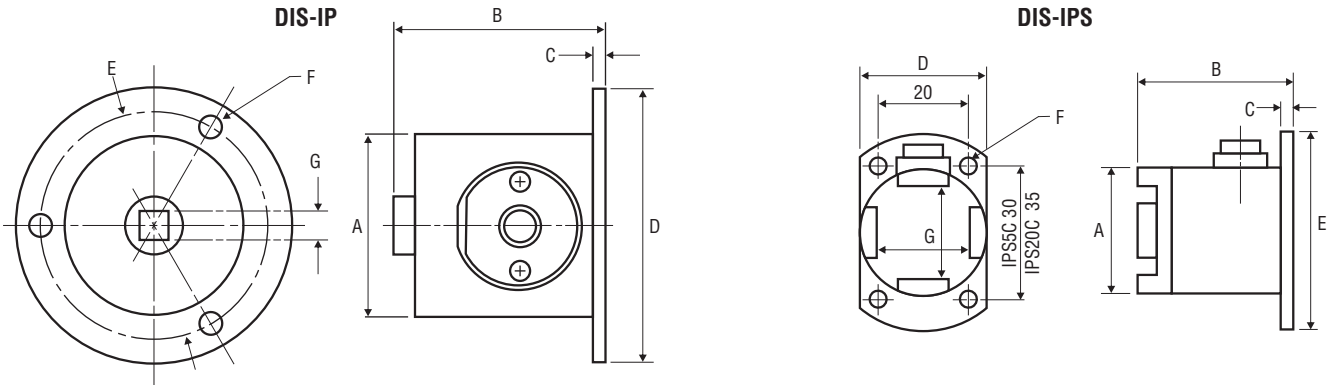
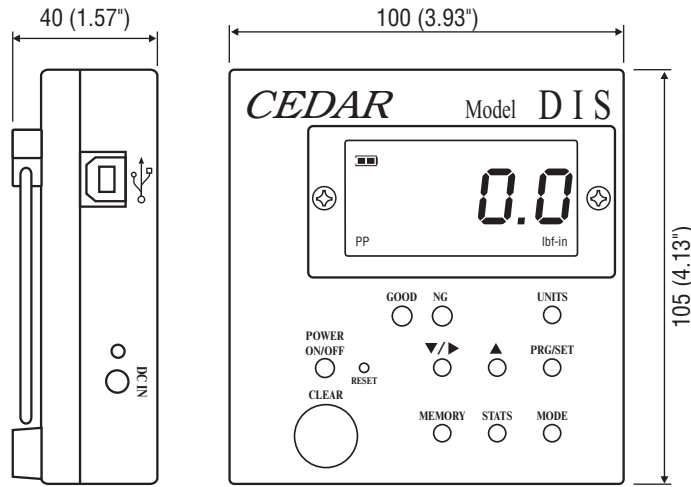


**FORCE & TORQUE MEASUREMENT**  
ISO 9001 & ISO/IEC 17025 ACCREDITED

**IMADA®, Inc.**

3100 Dundee Rd., Suite 707, Northbrook, IL 60062  
Tel: 847-562-0834 Fax: 847-562-0839  
www.imada.com E-mail: imada@imada.com

## Model DIS-IP



	A	B	C	D	E	F	G
DIS-IP5	∅40 (1.57")	41.2 (1.62")	5 (.20")	∅60 (2.36")	∅50 (1.97")	∅4.5 (.18")	6.35 (1/4" Female Drive)
DIS-IP50	∅50 (1.97")	63 (2.48")	10 (.39")	∅90 (3.54")	∅74 (2.91")	∅6.5 (.26")	9.5 (3/8" Female Drive)
DIS-IP200	∅60 (2.36")	79 (3.11")	15 (.59")	∅110 (4.33")	∅90 (3.54")	∅8.3 (.32")	12.7 (1/2" Female Drive)
DIS-IP500	∅80 (3.15")	99 (3.89")	15.5 (.61")	∅140 (5.51")	∅116 (4.57")	∅10.5 (.41")	19 (3/4" Female Drive)
DIS-IPS05C	∅28 (1.10")	34.4 (1.35")	2.5 (.098")	∅44 (1.73")	28 (1.10")	30 (1.18")	20 (.78")
DIS-IPS5C	∅28 (1.10")	34.4 (1.35")	2.5 (.098")	∅44 (1.73")	28 (1.10")	30 (1.18")	20 (.78")
DIS-IPS20CL	∅28 (1.10")	37.9 (1.49")	6 (.23")	∅49 (1.92")	28 (1.10")	35 (1.37")	20 (.78")