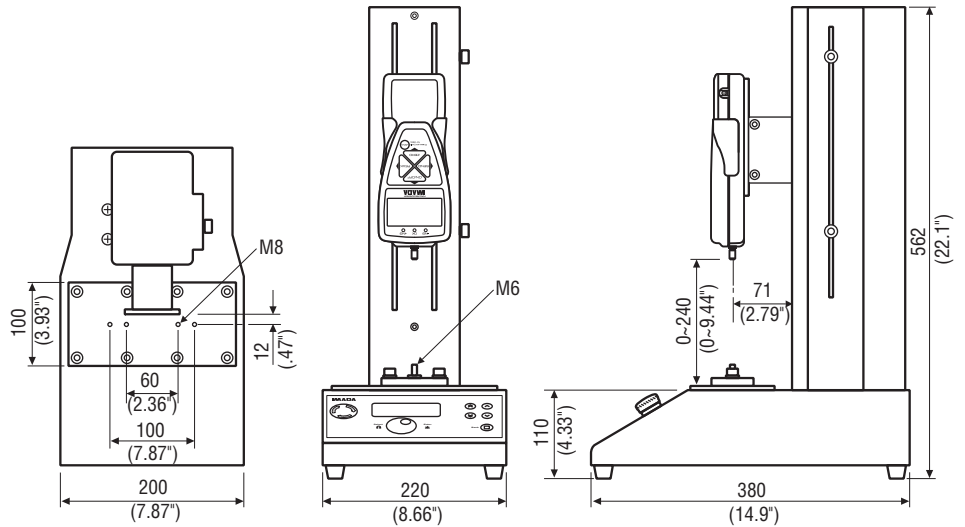
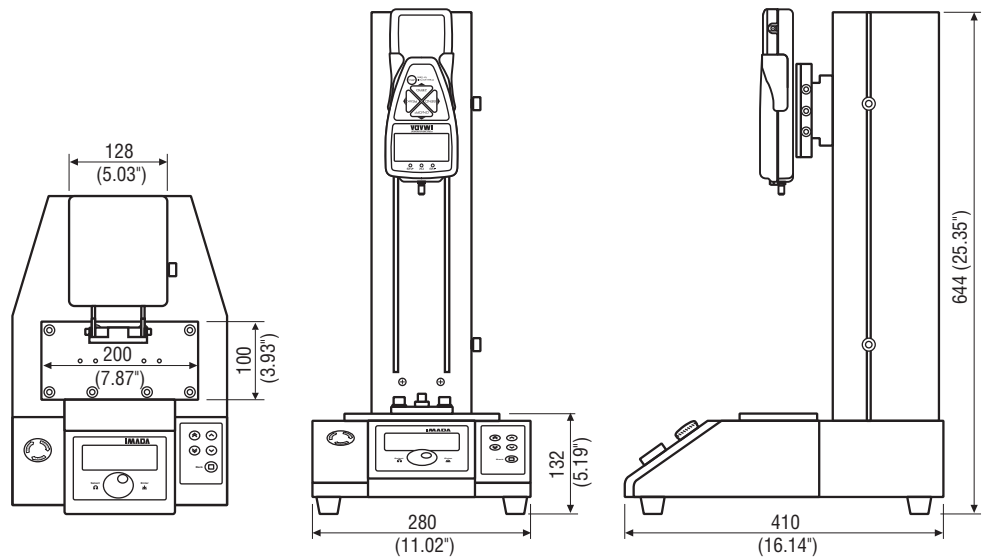


**FORCE & TORQUE MEASUREMENT**  
 ISO 9001 & ISO/IEC 17025 ACCREDITED

## FSA-0.5K2



## FSA-1K2



## FSA-2.5K2

