

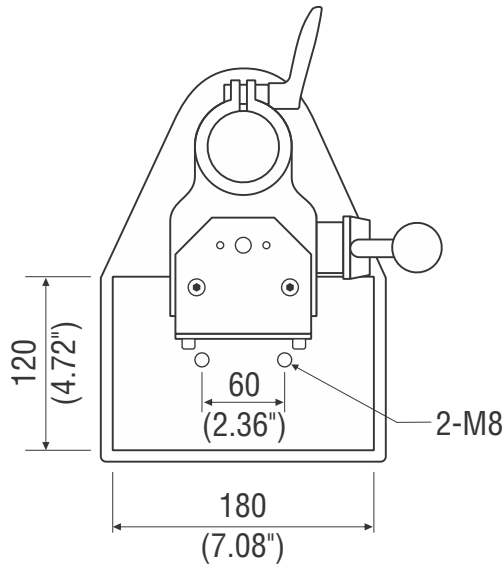


FORCE & TORQUE MEASUREMENT  
ISO 9001 & ISO/IEC 17025 ACCREDITED

IMADA®, Inc.

3100 Dundee Rd., Suite 707, Northbrook, IL 60062  
Tel: 847-562-0834 Fax: 847-562-0839  
www.imada.com E-mail: imada@imada.com

## Model SVL-220



|   | STANDARD     | LONG SHAFT   |
|---|--------------|--------------|
| H | 410 (16.14") | 610 (24.01") |
| R | 265 (10.43") | 465 (18.30") |

