

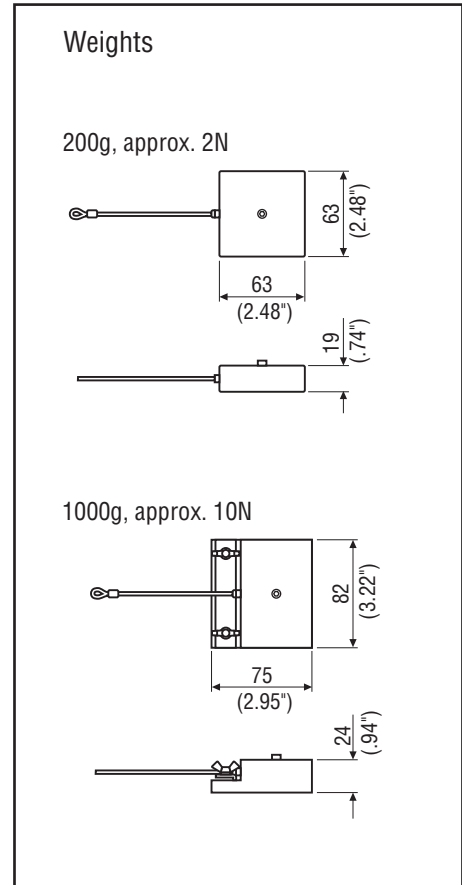
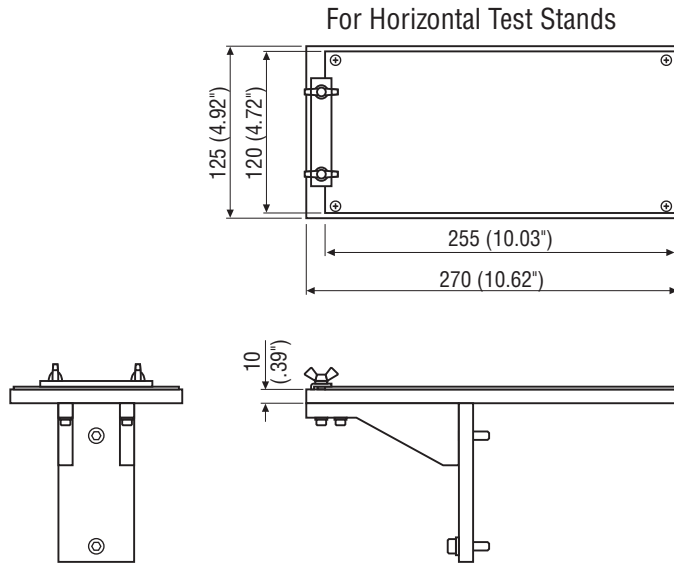


FORCE & TORQUE MEASUREMENT
 ISO 9001 REGISTERED
 ISO/IEC 17025 ACCREDITED

IMADA, Inc.®

3100 Dundee Rd., Suite 707, Northbrook, IL 60062-2442
 Tel: 847-562-0834 Fax: 847-562-0839
 www.imada.com E-mail: imada@imada.com

Models COF-2N & COF-10N



Models COF-2N-V & COF-10N-V

