



FORCE & TORQUE MEASUREMENT
ISO 9001 REGISTERED
ISO/IEC 17025 ACCREDITED

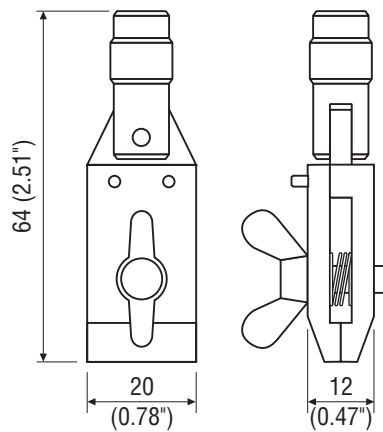
IMADA, Inc.®

3100 Dundee Rd., Suite 707, Northbrook, IL 60062-2442
Tel: 847-562-0834 Fax: 847-562-0839
www.imada.com E-mail: imada@imada.com

Series FC

All FC grips flex 10° to 15° at the joint.

FC-20



FC-40

