



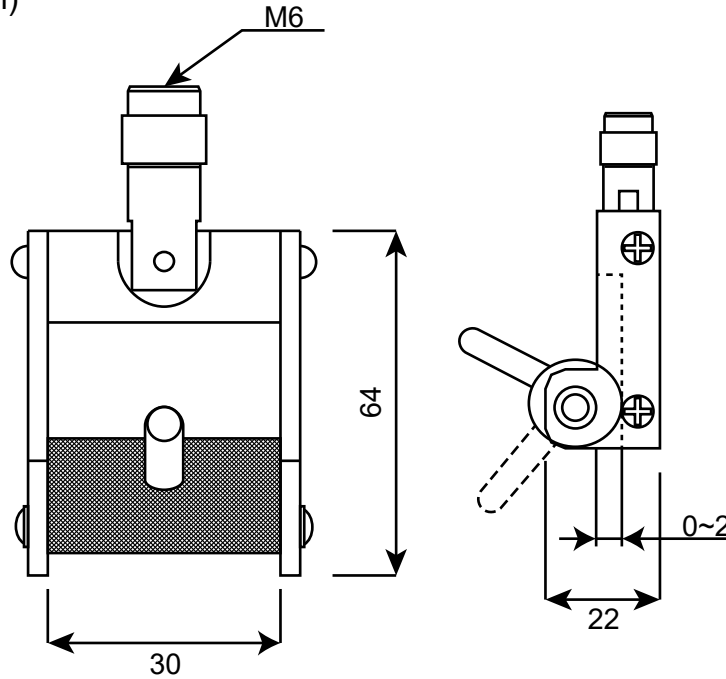
FORCE & TORQUE MEASUREMENT
ISO 9001 REGISTERED
ISO/IEC 17025 ACCREDITED

IMADA, Incorporated

3100 Dundee Rd., Suite 707, Northbrook, IL 60062-2442
Tel: 847-562-0834 Fax: 847-562-0839
www.imada.com E-mail: imada@imada.com

GR-30

(Dimensions in mm)



GR-2000

(Dimensions in mm)

