

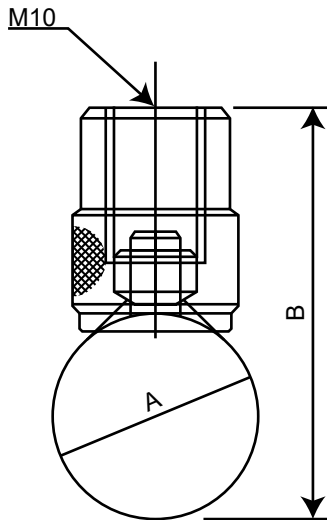


FORCE & TORQUE MEASUREMENT
 ISO 9001 REGISTERED
 ISO/IEC 17025 ACCREDITED

IMADA, Incorporated

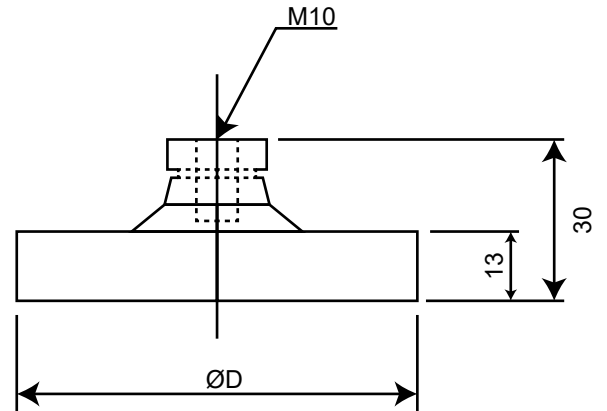
3100 Dundee Rd., Suite 707, Northbrook, IL 60062-2442
 Tel: 847-562-0834 Fax: 847-562-0839
 www.imada.com E-mail: imada@imada.com

SP-5000 Series
 (Dimensions in mm)



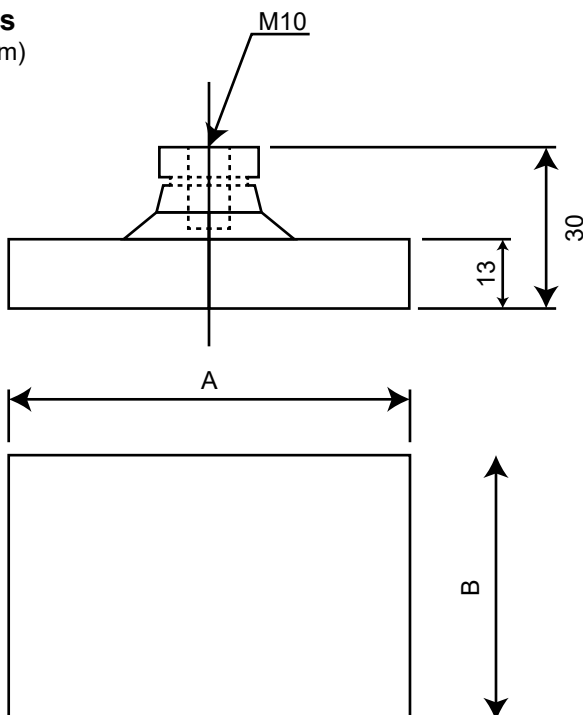
| Model | A | B |
|---------|----|----|
| SP-5010 | 10 | 30 |
| SP-5020 | 20 | 40 |
| SP-5030 | 30 | 50 |

PC-5000 Series
 (Dimensions in mm)



| Model | ØD |
|---------|-----|
| PC-5040 | 40 |
| PC-5060 | 60 |
| PC-5100 | 100 |

SQ-5000 Series
 (Dimensions in mm)



| Model | A | B |
|---------|-----|-----|
| SQ-5030 | 30 | 20 |
| SQ-5075 | 75 | 50 |
| SQ-5150 | 150 | 100 |