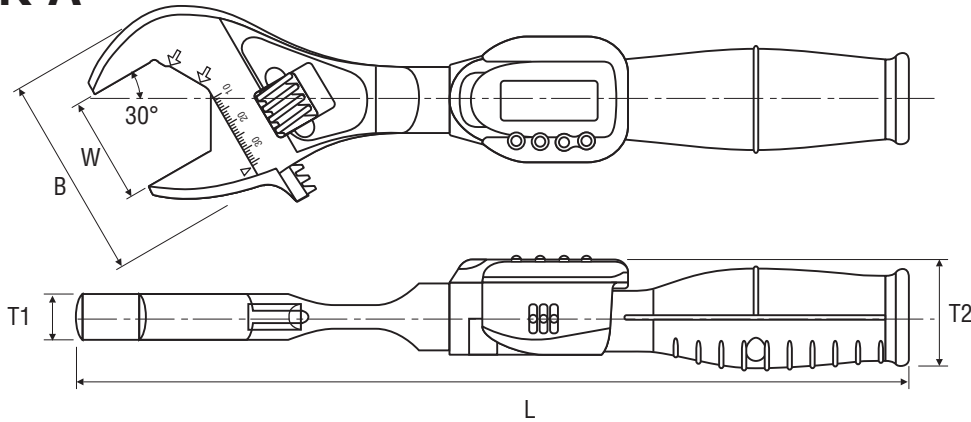


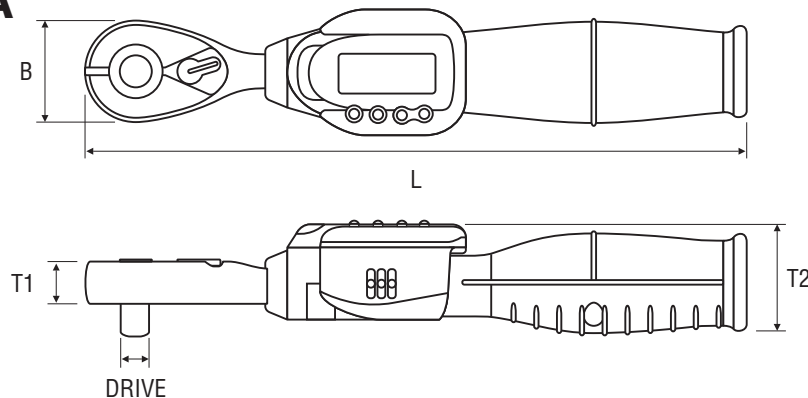
## Splashproof Digital Adjustable Torque Wrench Series GEK-A



Dimensions: millimeters (inches)

Model No.	W (mm)	B	L	T1	T2
GEK085-W36E	10~36 (.39~1.41")	69 (2.71")	275.2 (10.83")	14.5 (.57")	36 (1.41")
GEK135-W36E	10~36 (.39~1.41")	69 (2.71")	381.2 (15.00")	14.5 (.57")	36 (1.41")
GEK200-W36E	10~36 (.39~1.41")	69 (2.71")	581.2 (22.88")	14.5 (.57")	36 (1.41")

## Splashproof Digital Ratchet Torque Wrench Series GEK-A



Dimensions: millimeters (inches)

Model No.	B	L	T1	T2	Drive
GEK030-R2E	22 (.86")	211 (8.30")	10 (.39")	36 (1.41")	1/4"
GEK030-C3E	22 (.86")	211 (8.30")	10 (.39")	36 (1.41")	3/8"
GEK060-R3E	33 (1.29")	217 (8.54")	13.5 (.53")	36 (1.41")	3/8"
GEK085-R3E	33 (1.29")	271 (10.66")	13.5 (.53")	36 (1.41")	3/8"
GEK135-R4E	39.5 (1.55")	380 (14.96")	18 (.70")	36 (1.41")	1/2"
GEK200-R4E	39.5 (1.55")	580 (22.83")	18 (.70")	36 (1.41")	1/2"