

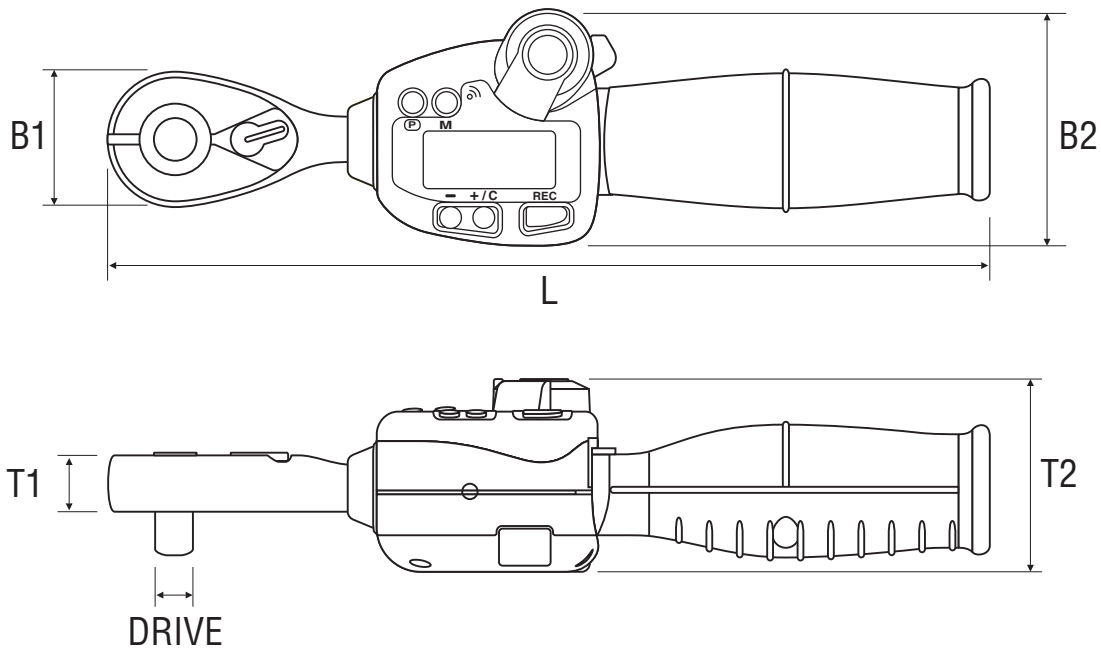


FORCE & TORQUE MEASUREMENT
ISO 9001 & ISO/IEC 17025 ACCREDITED

IMADA, Inc.®

3100 Dundee Rd., Suite 707, Northbrook, IL 60062
Tel: 847-562-0834 Fax: 847-562-0839
www.imada.com E-mail: imada@imada.com

Wireless Digital Ratchet Torque Wrench Series RGED



Dimensions: millimeters (inches)

Model No.	B1	B2	L	T1	T2	Drive
RGED030-R2Z	22 (.86")	58.4 (2.30")	211 (8.30")	10 (.39")	48 (1.88")	1/4"
RGED030-C3Z	22 (.86")	58.4 (2.30")	211 (8.30")	10 (.39")	48 (1.88")	3/8"
RGED060-R3Z	33 (1.29")	58.4 (2.30")	217 (8.54")	13.5 (.53")	48 (1.88")	3/8"
RGED085-R3Z	33 (1.29")	58.4 (2.30")	271 (10.66")	13.5 (.53")	48 (1.88")	3/8"
RGED135-R4Z	39.5 (1.55")	58.4 (2.30")	380 (14.96")	18 (.70")	48 (1.88")	1/2"
RGED200-R4Z	39.5 (1.55")	58.4 (2.30")	580 (22.83")	18 (.70")	48 (1.88")	1/2"