



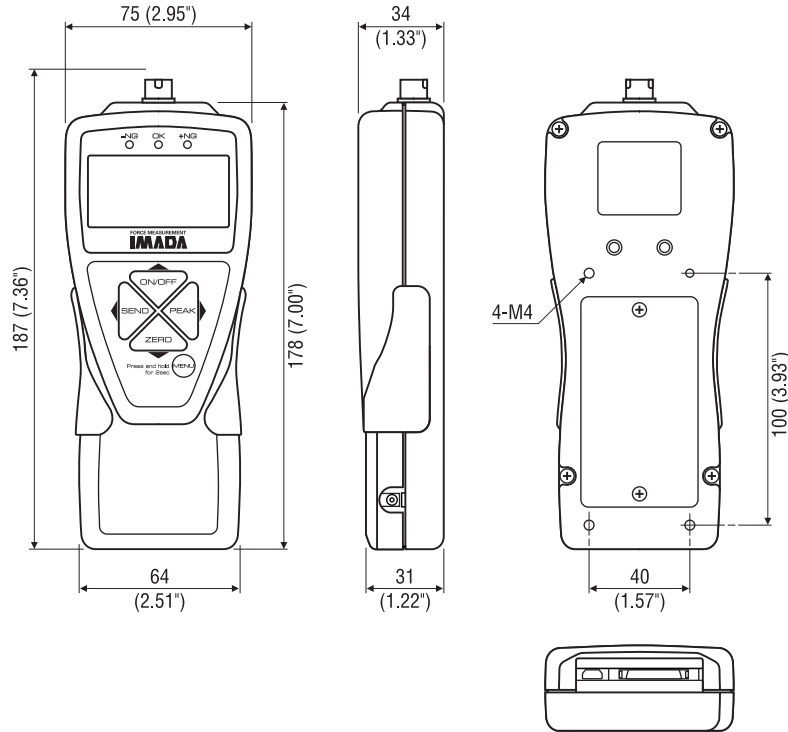
**FORCE & TORQUE MEASUREMENT**  
ISO 9001 & ISO/IEC 17025 ACCREDITED

**IMADA®, Inc.**

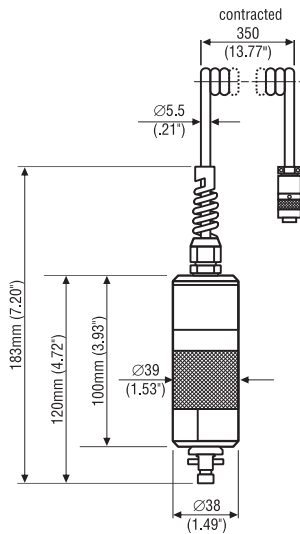
3100 Dundee Rd., Suite 707, Northbrook, IL 60062  
Tel: 847-562-0834 Fax: 847-562-0839  
www.imada.com E-mail: imada@imada.com

# Digital Torque Gauge

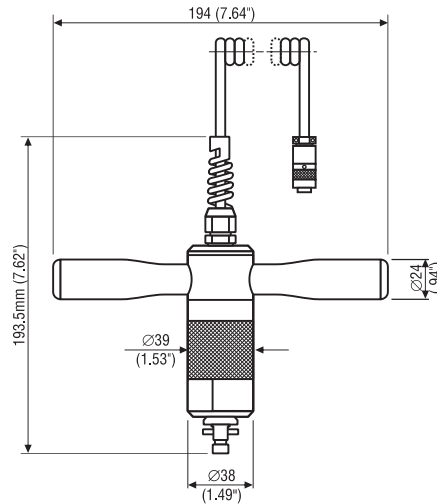
## Models: HTGS / HTGA



### 0.5-5N Sensors



### 10N Sensor



### AMK-360

