



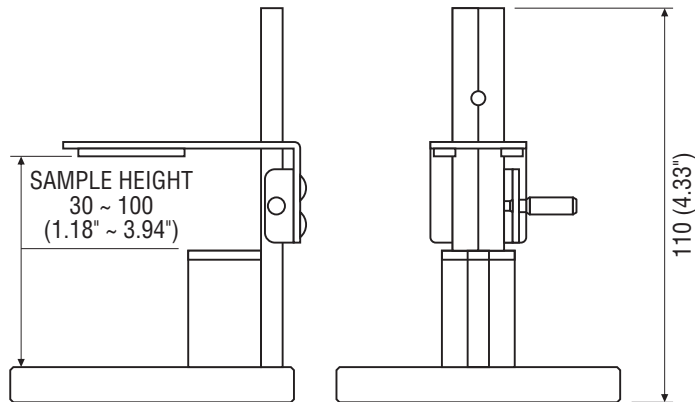
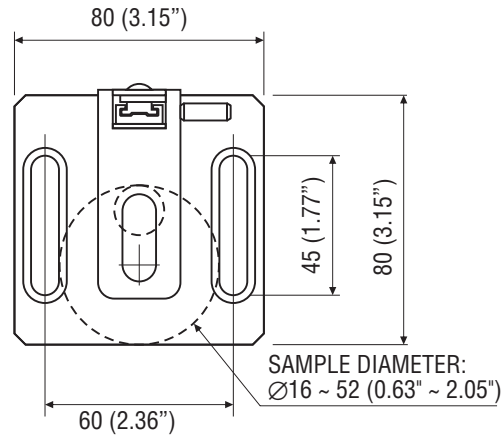
**FORCE & TORQUE MEASUREMENT**  
 ISO 9001 REGISTERED  
 ISO/IEC 17025 ACCREDITED

**IMADA®, Inc.**

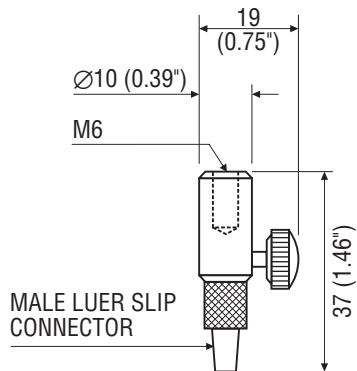
3100 Dundee Rd., Suite 707, Northbrook, IL 60062-2442  
 Tel: 847-562-0834 Fax: 847-562-0839  
 www.imada.com E-mail: imada@imada.com

## MED-VH-5N

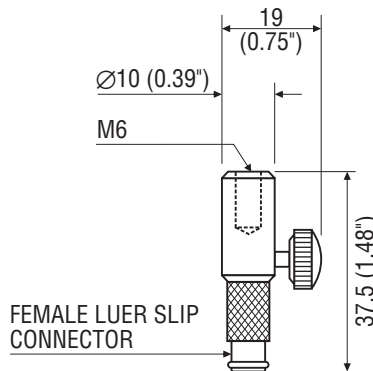
(Dimensions in mm)



MED-LFA-20N-MS



MED-LFA-20N-FS



MED-LFA-20N-ML

