



FORCE & TORQUE MEASUREMENT
ISO 9001 & ISO/IEC 17025 ACCREDITED

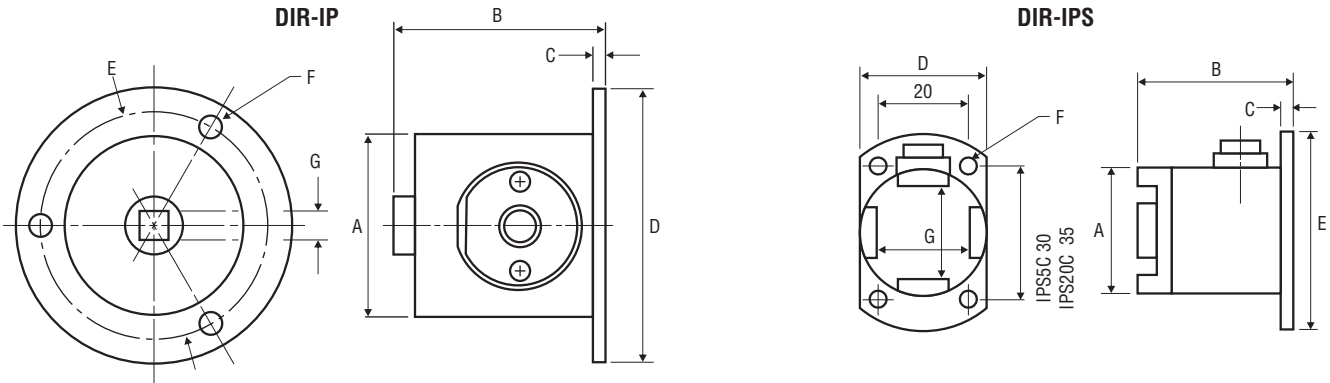
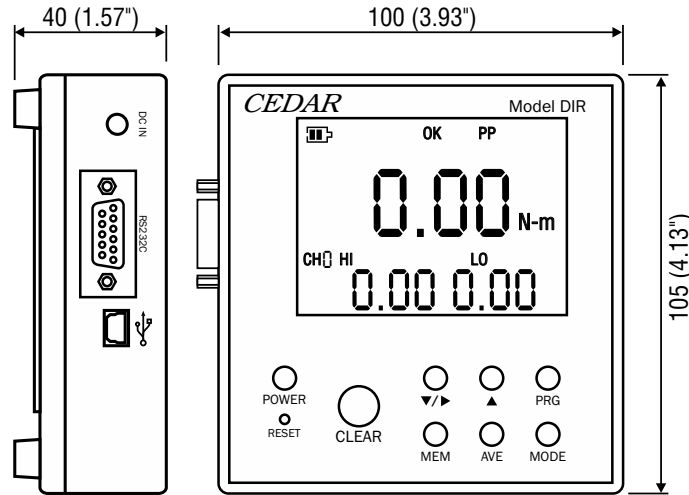
IMADA®, Inc.

3100 Dundee Rd., Suite 707, Northbrook, IL 60062

Tel: 847-562-0834 Fax: 847-562-0839

www.imada.com E-mail: imada@imada.com

Model DIR-IP



| | ØA | B | C | ØD | ØE | ØF | G |
|------------|---------------|-----------------|----------------|----------------|----------------|----------------|-----------------------------|
| DIR-IP5 | 40 (1.57") | 41.2 (1.62") | 5 (.20") | 60 (2.36") | 50 (1.97") | 4.5 (.18") | 6.35 (1/4" Female Drive) |
| DIR-IP50 | 50 (1.97") | 63 (2.48") | 10 (.39") | 90 (3.54") | 74 (2.91") | 6.5 (.26") | 9.5 (3/8" Female Drive) |
| DIR-IP200 | 60 (2.36") | 79 (3.11") | 15 (.59") | 110 (4.33") | 90 (3.54") | 8.3 (.32") | 12.7 (1/2" Female Drive) |
| DIR-IP500 | 80 (3.15") | 99 (3.89") | 15.5 (.61") | 140 (5.51") | 116 (4.57") | 10.5 (.41") | 19 (3/4" Female Drive) |
| DIR-IPS05C | 28 (1.10") | 34.4 (1.35") | 2.5 (.098") | 44 (1.73") | 28 (1.10") | 30 (1.18") | 20 (0.78") |
| DIR-IPS5C | 28 (1.10") | 34.4 (1.35") | 2.5 (.098") | 44 (1.73") | 28 (1.10") | 30 (1.18") | 20 (0.78") |
| DIR-IPS20C | 28 (1.10") | 37.9 (1.49") | 6 (.23") | 49 (1.92") | 28 (1.10") | 35 (1.37") | 20 (0.78") |